

# ELEMENT Cylinder 2" and 3" Cord Pendant Mount

EC\_RD\_ 1.0

## VISUAL COMFORT & Co.

ARCHITECTURAL COLLECTION

### GENERAL PRODUCT INFORMATION:



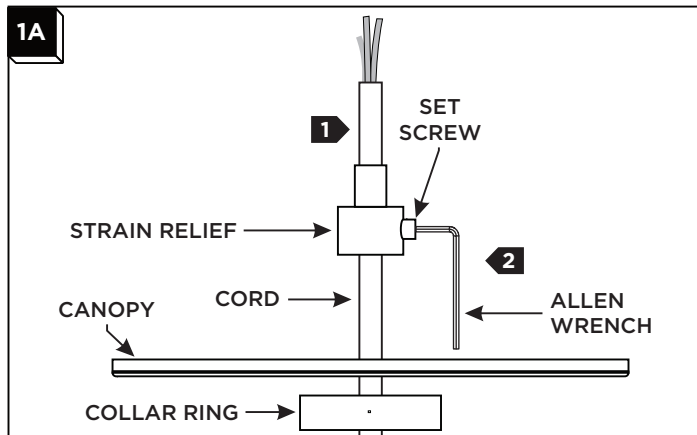
This product is suitable for damp locations.

This product can be dimmed with a standard electronic dimmer or 0-10V dimmer.

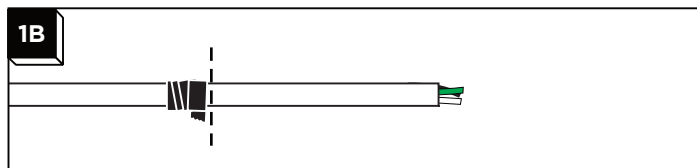
This instruction shows a typical installation.

**SAVE THESE INSTRUCTIONS!**

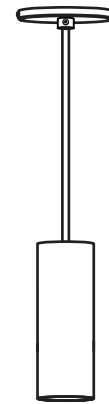
### Assemble the Fixture



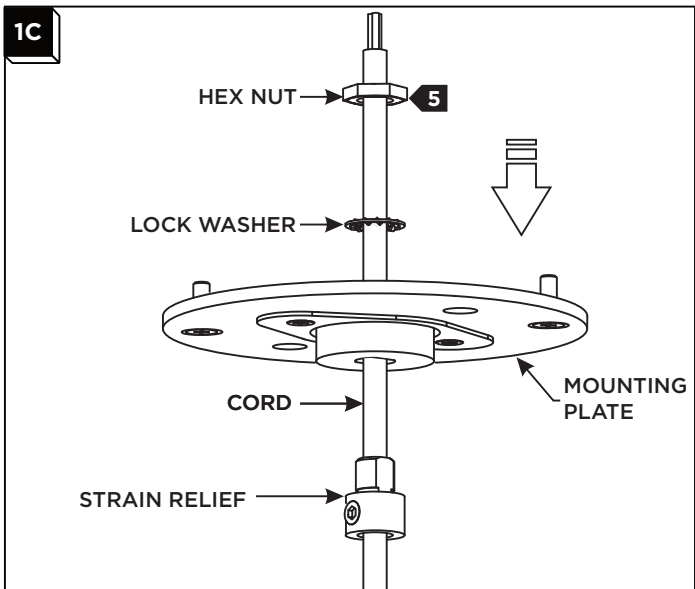
- 1 Feed the cord through the collar ring, canopy and strain relief.
- 2 Adjust the cord to the desired length. Tighten the set screw until the cord is secured and does not move when pulled.



- 3 Tape the cord jacket before cutting to prevent fraying.

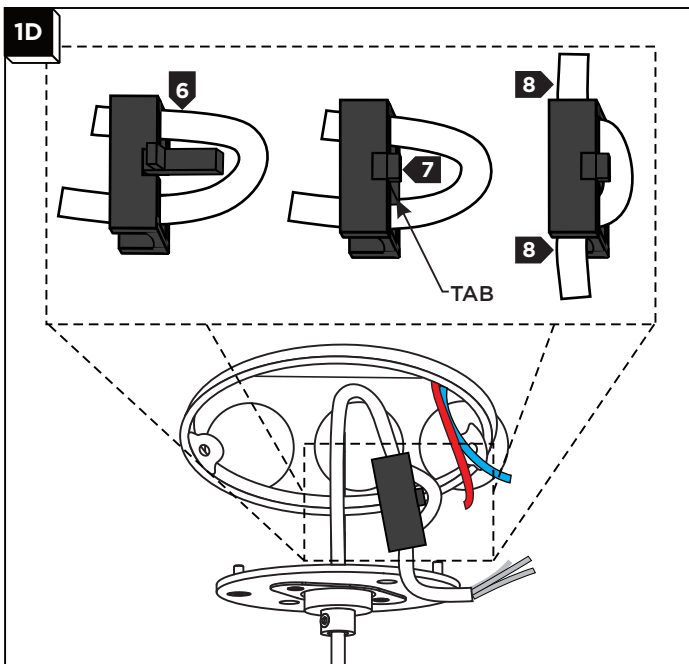


**CAUTION - RISK OF FIRE**  
 This product must be installed in accordance with the applicable installation code by a person familiar with the construction and operation of the product and the hazards involved.  
**Use minimum 90°C supply conductors.**

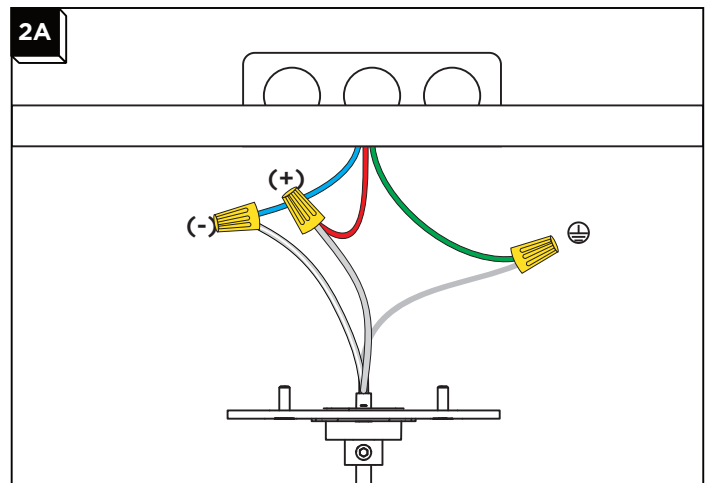


- 4 Feed the mounting plate, lock washer and hex nut.
- 5 Tighten the hex nut to the strain relief.

## Wiring the fixture (J-Box Driver)

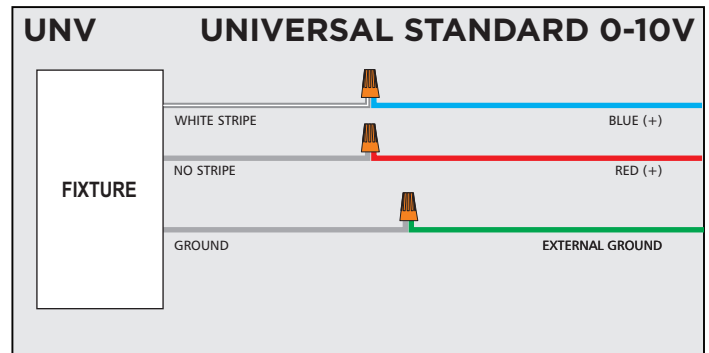


- 6** Remove the cloth and jacket on the cord where the secondary strain relief is to be installed. Expose at least 6" of wire.
- 7** Install the secondary strain relief, above the mounting plate, by first feeding the power cord through it.
- 8** Snap the strain relief tab into place.
- 9** Pull the cord to take up the slack and fit the rest of the cord in the strain relief's openings.

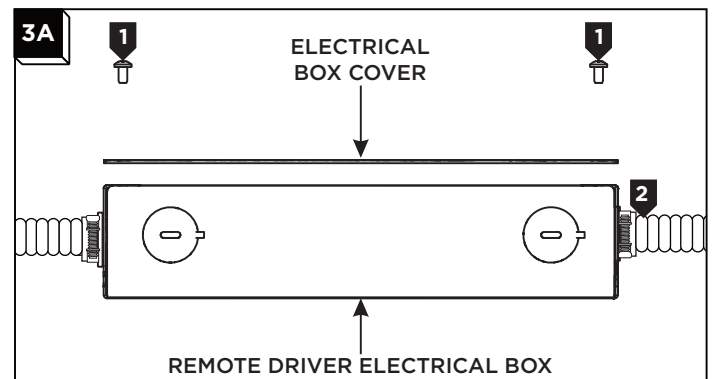


- 1** Use the following wiring diagram to wire your fixture.
- 2** Make sure to cap 0-10V dimming wires if not being used.

**NOTE: Universal drivers for 2" cylinders are housed within the junction box.**



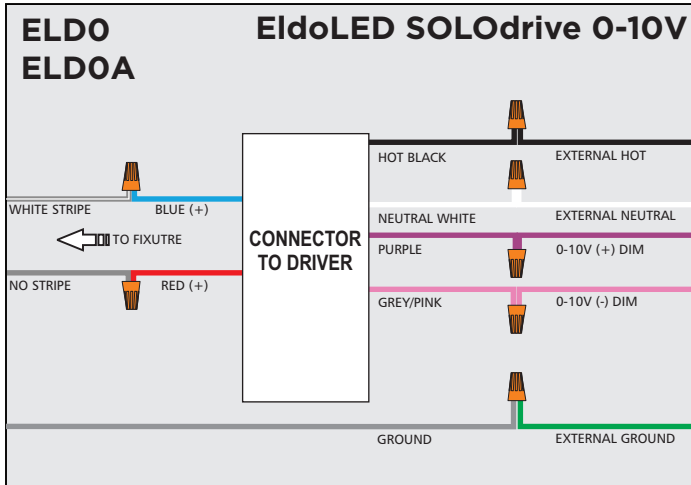
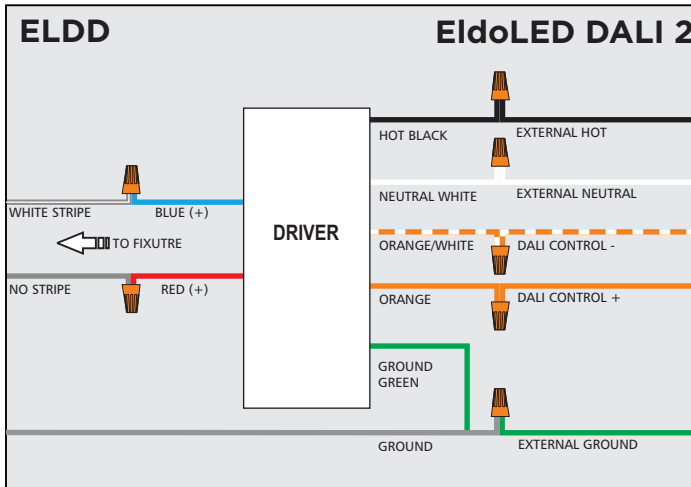
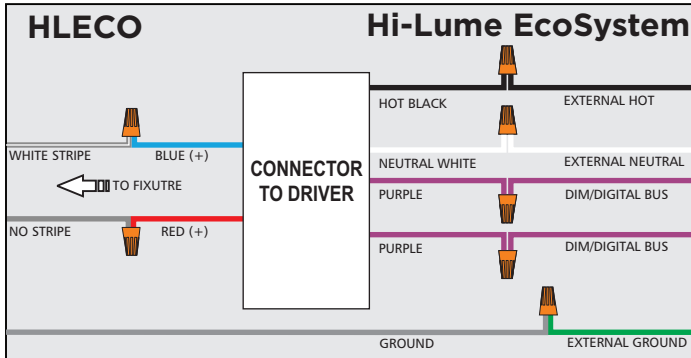
## Connect Power to the Housing (Remote Drivers)



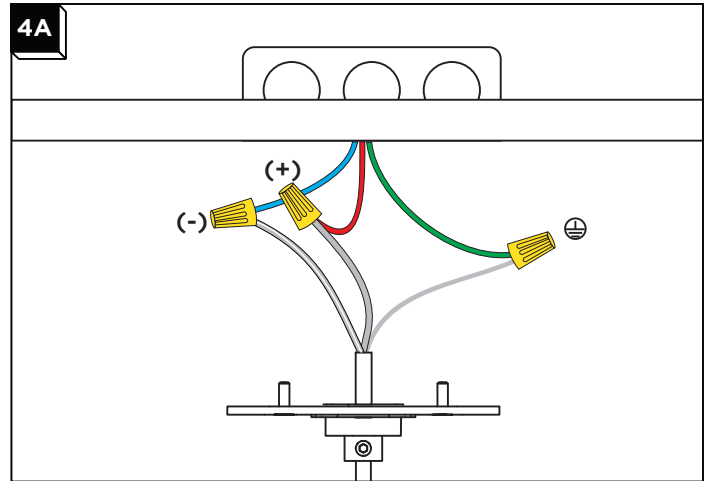
- 1** Open remote driver junction box by removing two screws.
- 2** Connect conduit or Romex to junction box with the proper fittings
- 3** Use the wiring diagrams to wire your fixture accordingly.

## Wiring Diagrams (Remote Drivers)

**WARNING: Do not connect wires from fixture to line voltage.**

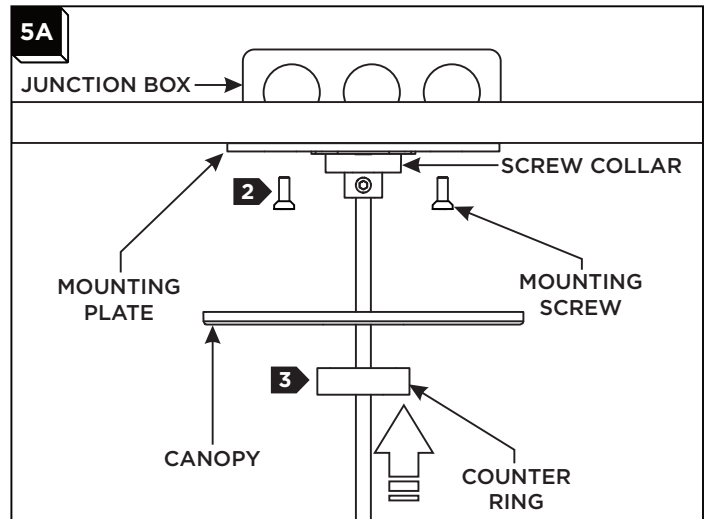


## Wire the fixture (Remote Drivers)



- 1 Strip the cord to expose the inner wires.
- 2 Connect the bare copper wire to the external ground wire with a wire nut.
- 3 Connected the striped wire (-) to the blue driver wire with a wire nut.
- 4 Connect the clear wire (+) to the red driver wire with a wire nut.

## Install the Fixture

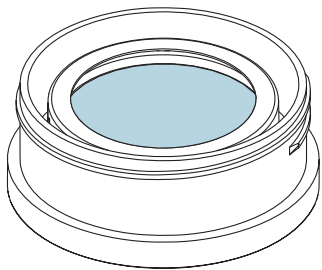
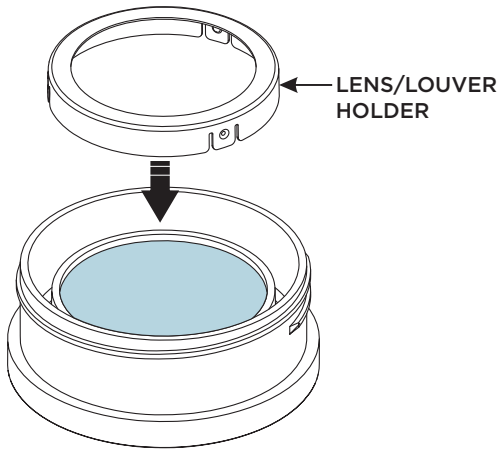
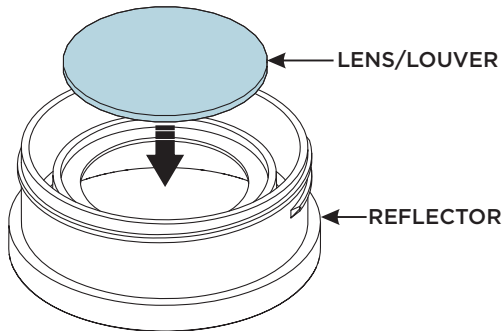


- 1 Neatly place all wires and wire nut connections inside the canopy.
- 2 Secure the mounting plate to the junction box with the mounting screws.
- 3 Slide the canopy up over the mounting plate and screw the counter ring onto the screw collar to secure it in place.

## Install the Reflector Accessory

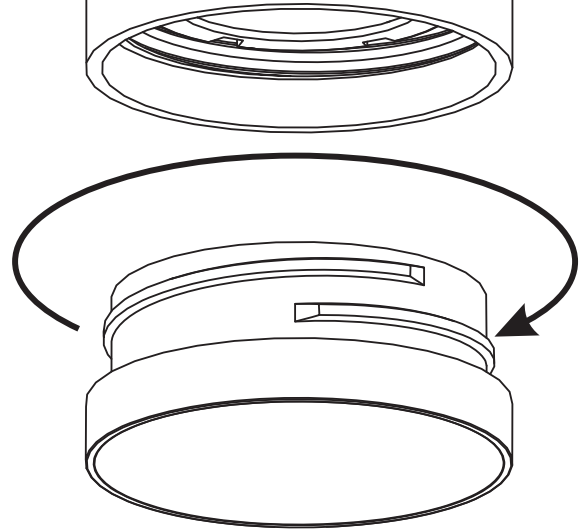
**NOTE:** Lenses and louvers are not compatible with decorative accessories.

**6A**



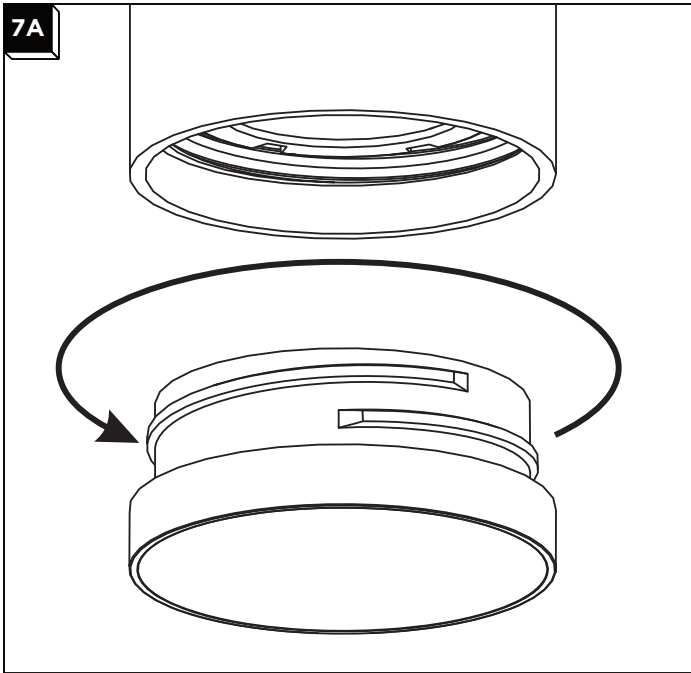
- 1 In the accessory reflector place the lens or louver.
- 2 Firmly press the lens holder down onto the lens or louver to secure it.

**6B**

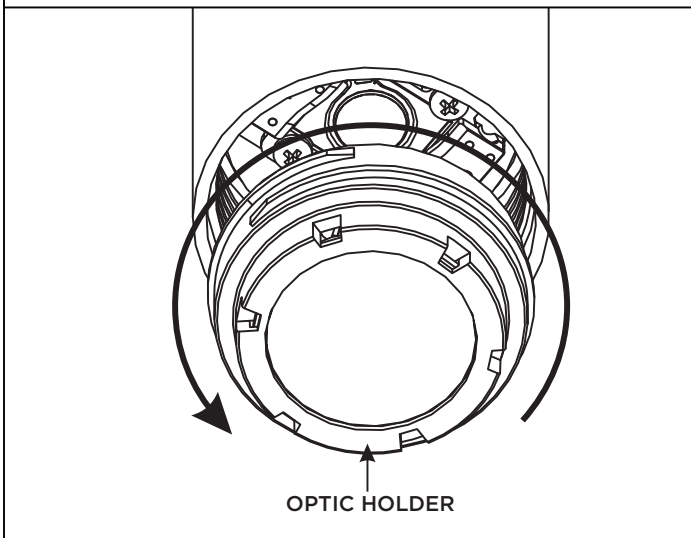
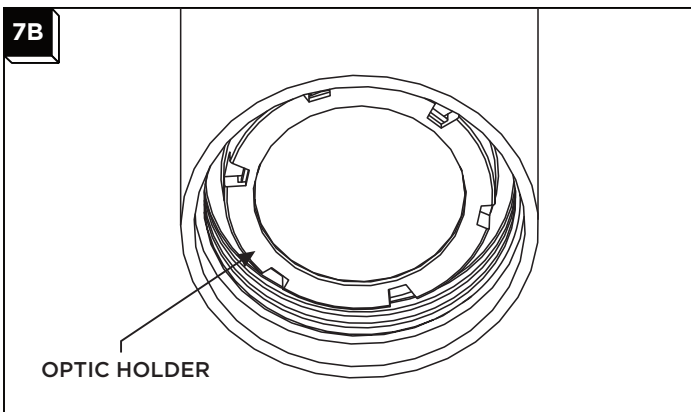


- 3 Install the reflector by inserting it into the bottom of the Cylinder and screw it in as far as it will go.

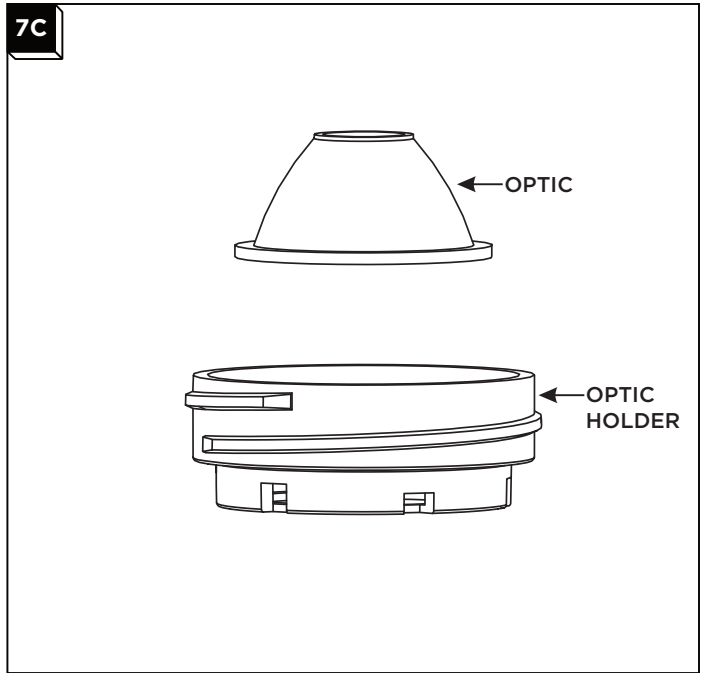
## Replacing the Optic



- 1** Hold the main body of the Cylinder, unscrew and remove the reflector.



- 2** Unscrew the optic holder. Note: if the holder is too tight to initially turn by hand, a tool may be used to carefully turn it by grabbing one of the holes on the holder.



- 3** Remove the old optic and replace with new, ensuring it is seated evenly and properly in the holder.

- 4** Reinstall the reflector by inserting it into the bottom of the Cylinder and screw it in as far as it will go. (reversal of section 11A).

**Notes:**

**Notes:**

**Notes:**